

Hydrogen Fuel Cell Power Demonstrator

Concurrent Technologies Corporation, sponsored by the U.S. Air Force Research Laboratory, designed and built a portable hydrogen fuel cell powered demonstrator that generates a quieter and cleaner source of supplemental power

Key Benefits:

- Indoor/Outdoor Operations
 - No harmful emissions
 - Quieter power source
- Provides energy security and resilience
- Deployable power supply
- Reduces dependency on fossil fuel
- Provides hands-on educational benefits

Applications:

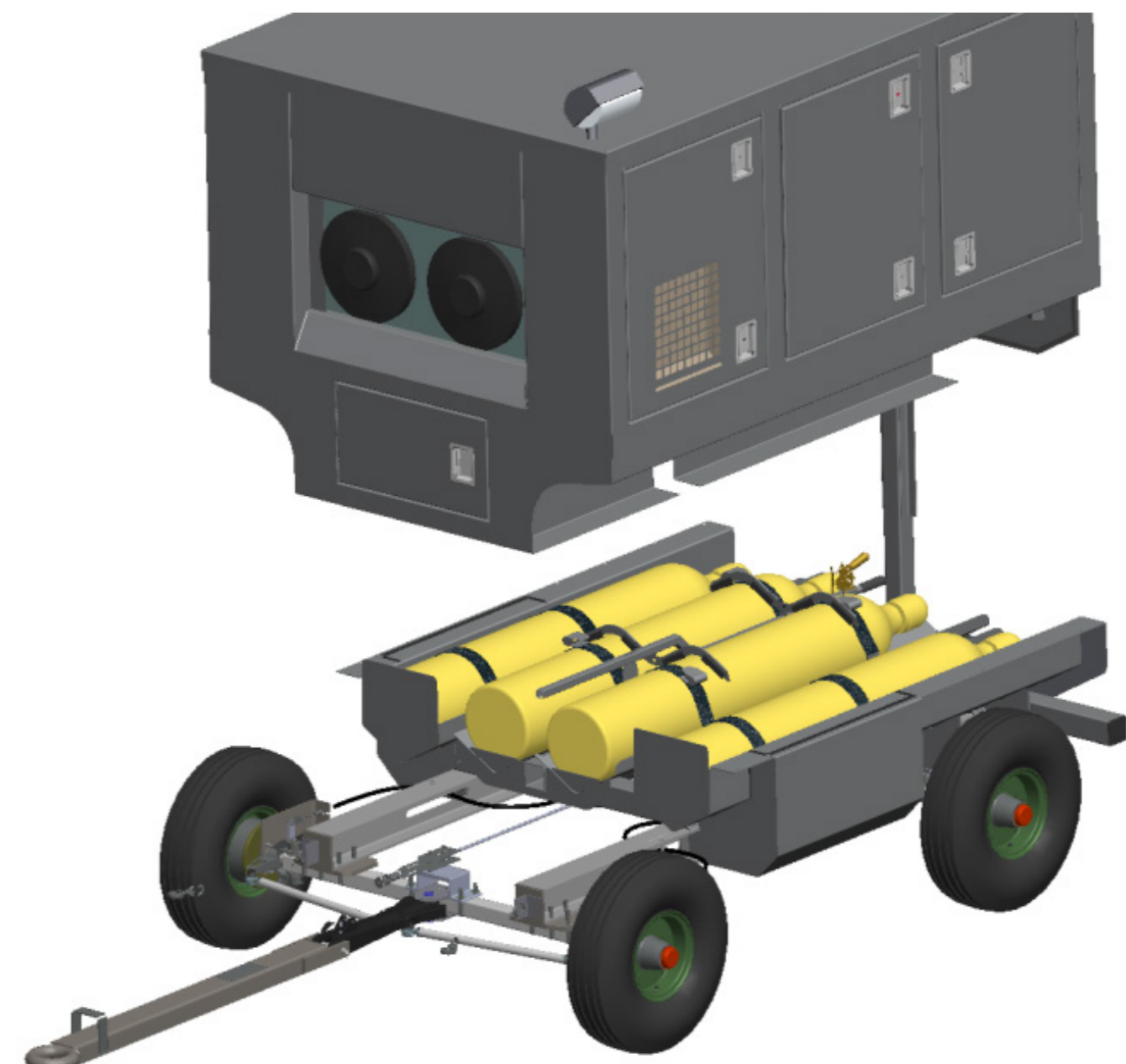
- Field work (welding/power tools)
- Portable worksite lighting
- Military command centers
- Food preparation
- Portable military living quarters



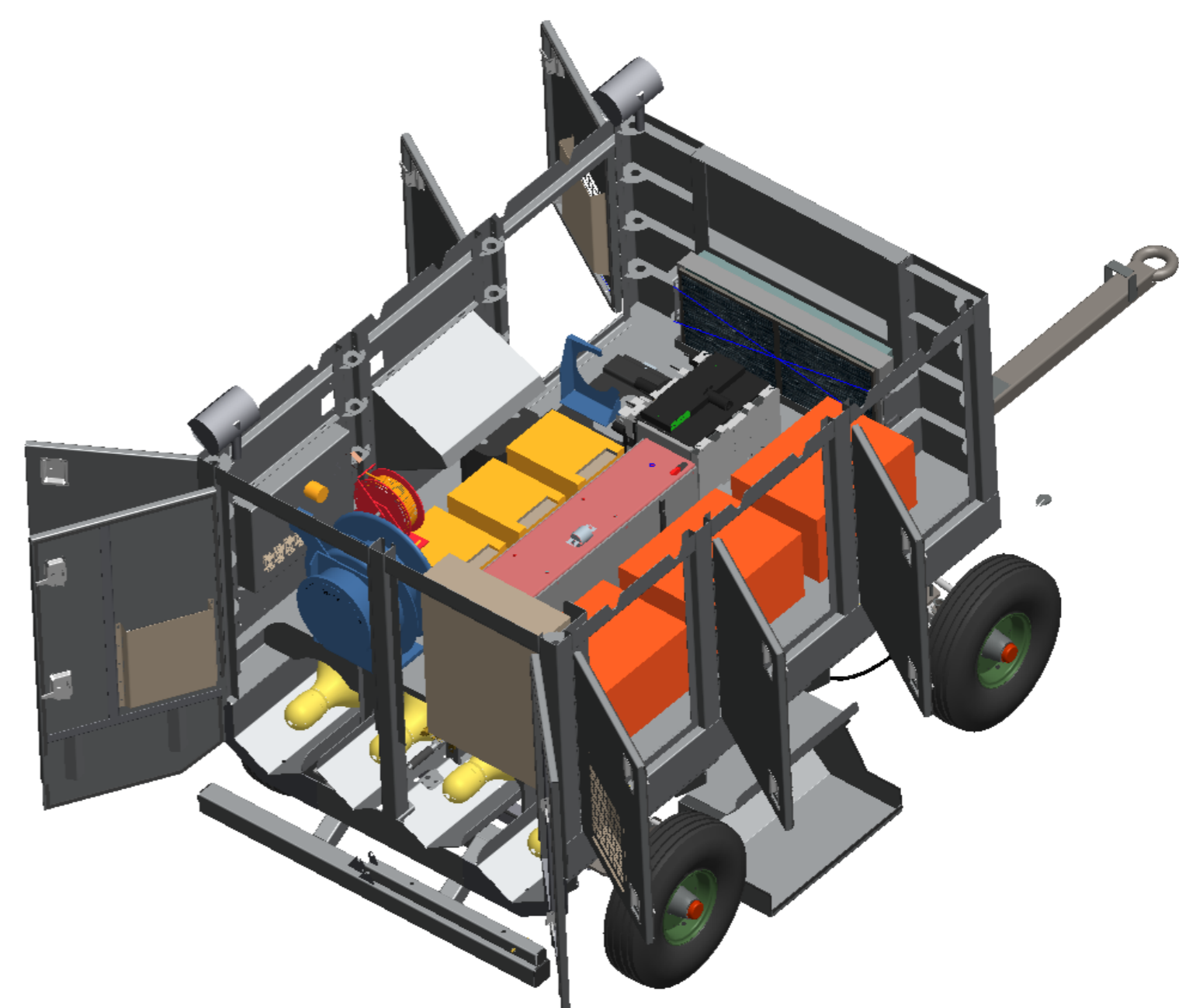
12kW Fuel Cell Power



Control Panel / Load Center



On-board Hydrogen Storage



Accessible Components